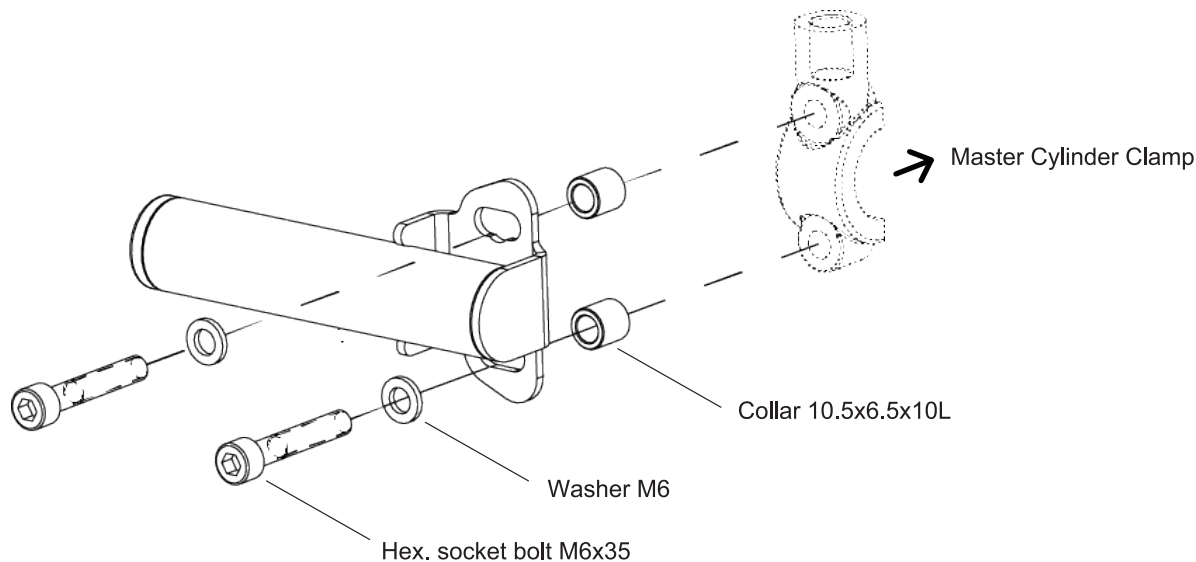


Mount Bar - Master Cylinder Clamp Type

#92801 #91701 #17876
#92802 #91702

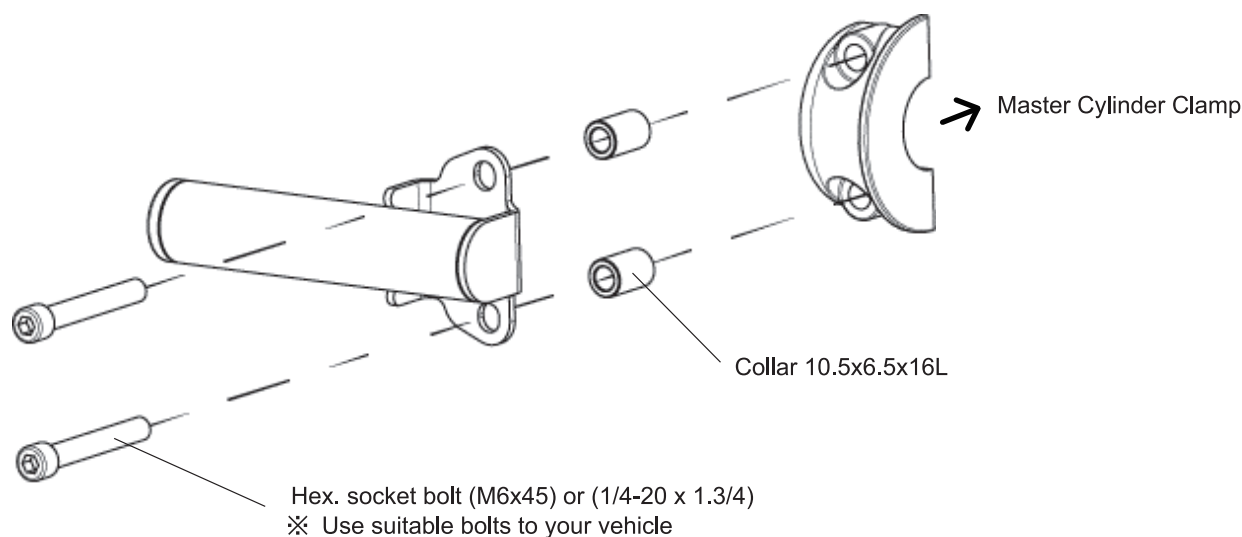
Useful for attaching navigation system, smartphones, USB, etc.
Made of steel. Pipe diameter 22.2mm. Made in Japan.

For clamp pitch 30-32mm / 33-37mm



- ※ Keep the original bolts that hold the master cylinder in place.
- ※ If the supplied bolts or collars don't fit, prepare bolts, washers and collars to suit your vehicle.
- ※ After installation, check that there is no contact with other objects.

For Harley Davidson, clamp pitch 38-40mm



- ※ Keep the original bolts that hold the master cylinder in place.
- ※ If the supplied bolts or collars don't fit, prepare bolts, washers and collars to suit your vehicle.
- ※ After installation, check that there is no contact with other objects.

